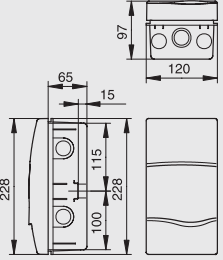



Commercial Ref.	Code
BM 4 PT/RR	30152
BM 4 PT	30150
<i>White with transparent window</i>	
BM 4 PO/RR	30252
BM 4 PO	30250
<i>White with opaque window</i>	
CM 4 PT/RR	30102
CM 4 PT	30100
<i>Grey with transparent window</i>	
CM 4 PO/RR	30202
CM 4 PO	30200
<i>Grey with opaque window</i>	

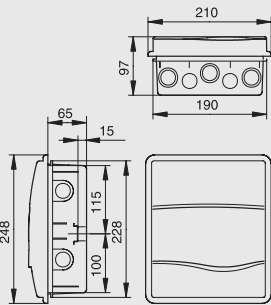


IP40

TYPE: 40E04 - 1x4 modules DIN rail
 WALL RECESS: 120x228x65 mm
 Cable entries sup.: 3xM25/32
 inf.: 3xM25/32




Commercial Ref.	Code
BM 8 PT/RR	30452
BM 8 PT	30450
<i>White with transparent window</i>	
BM 8 PO/RR	30552
BM 8 PO	30550
<i>White with opaque window</i>	
CM 8 PT/RR	30402
CM 8 PT	30400
<i>Grey with transparent window</i>	
CM 8 PO/RR	30502
CM 8 PO	30500
<i>Grey with opaque window</i>	

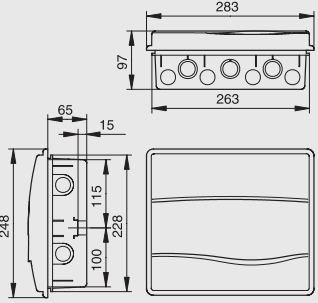


IP40

TYPE: 40E08 - 1x8 modules DIN rail
 WALL RECESS: 190x228x65 mm
 Cable entries sup.: 4xM25 - 3xM25/32
 inf.: 4xM25 - 3xM25/32



Commercial Ref.	Code
BM 12 PT/RR	30752
BM 12 PT	30750
<i>White with transparent window</i>	
BM 12 PO/RR	30852
BM 12 PO	30850
<i>White with opaque window</i>	
CM 12 PT/RR	30702
CM 12 PT	30700
<i>Grey with transparent window</i>	
CM 12 PO/RR	30802
CM 12 PO	30800
<i>Grey with opaque window</i>	

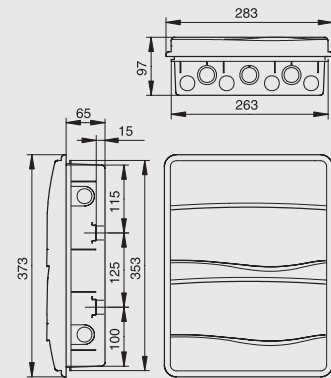


IP40

TYPE: 40E12 - 1x12 modules DIN rail
 WALL RECESS: 263x228x65 mm
 Cable entries sup.: 6xM25 - 2xM25/32 - 1xM25/32/40
 inf.: 6xM25 - 2xM25/32 - 1xM25/32/40



Commercial Ref.	Code
BM 24 PT/RR	31352
BM 24 PT	31350
<i>White with transparent window</i>	
BM 24 PO/RR	31452
BM 24 PO	31450
<i>White with opaque window</i>	
CM 24 PT/RR	31302
CM 24 PT	31300
<i>Grey with transparent window</i>	
CM 24 PO/RR	31402
CM 24 PO	31400
<i>Grey with opaque window</i>	

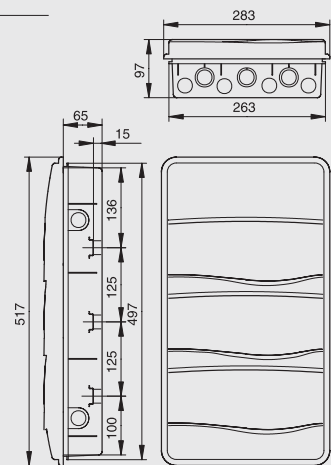


Type: 40E24 - 2x12(24) modules DIN rail
 WALL RECESS: 263x353x65 mm
 Cable entries sup.: 6xM25 - 2xM25/32 - 1xM25/32/40
 inf.: 6xM25 - 2xM25/32 - 1xM25/32/40

IP40



Commercial Ref.	Code
BM 36 PT/RR	31652
BM 36 PT	31650
<i>White with transparent window</i>	
BM 36 PO/RR	31752
BM 36 PO	31750
<i>White with opaque window</i>	
CM 36 PT/RR	31602
CM 36 PT	31600
<i>Grey with transparent window</i>	
CM 36 PO/RR	31702
CM 36 PO	31700
<i>Grey with opaque window</i>	



Type: 40E36 - 3x12 (36) modules DIN rail
 WALL RECESS: 263x497x65 mm
 Cable entries sup.: 6xM25 - 2xM25/32 - 1xM25/32/40
 inf.: 6xM25 - 2xM25/32 - 1xM25/32/40

IP40



/RR: References with earth and neutral bars.

